

LEISURE SERIES

SM2 10', SM3 14', SM4 20'
BT135-510, BT135-610
UT135 8'

Perfect for any season, the Leisure series trailers are able to bring you to the fun. Snowmobiles in the winter and quads in the summer, these trailers can handle both with ease.

Standard features such as side stake pockets complete with rub rails allow easy load securement at nearly any point along the trailer. Underneath the 3500 lb axle(s) 15" radial tires ensure that these trailers can handle the highway or back roads and keep on rolling. If adventure and leisure is what you want, these trailers will get you there and back quickly, easily and safely.



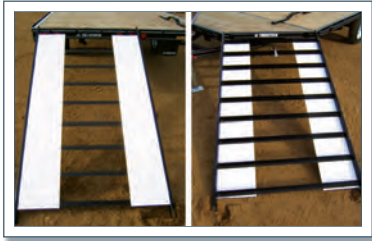
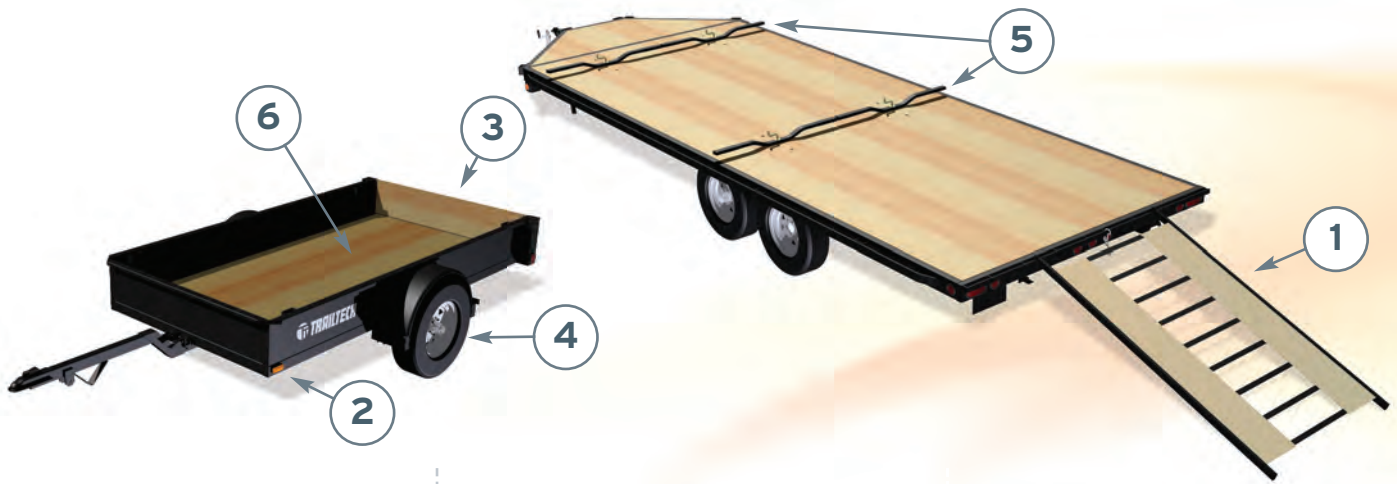
Making Leisure Easy



Trailtech Inc.

Box 988, Gravelbourg, SK, Canada S0H 1X0
P: (306) 648-3158 | F: (306) 648-3305

 **TRAILTECH**
www.trailtech.com



1) Reversible Ramp

The reversible ramp allows you to load sleds with the protection of puck board for your skis, and can be easily flipped to load quads.



2) LED Lighting

LED lighting, which allows for faster response time and brighter lights for safety, is standard on all models.



3) 4' Landscape Tailgate

UT Series optional 4' Landscape Tailgate allows for loading of small equipment in a safe stable manner.



4) Rims & Tires

Standard on the Leisure series are 15" rims and Goodyear Marathon radial ST205/75R15 tires.



5) Ski Tie Down Bars

Tie your skis down safely and securely without damage with our rubber covered ski tie down bars and durable treated wood decking.



6) Tilting Deck

The tilting deck makes for easy loading and unloading of all types of equipment from garden tractors to golf carts.

Features	SM2 10'	SM3 14'	SM4 20'	BT135-510	BT135-610	UT134 8'
Main Frame	3 x 2 x .125 Structural Tubing	3 x 2 x .125 Structural Tubing	5 x 2 x .125 Structural Tubing	3 x 2 x .125 Structural Tubing	3 x 2 x .125 Structural Tubing	3 x 2 x .125 Structural Tubing
Crossmembers	1 1/2" Structural Tubing	1 1/2" Structural Tubing	1 1/2" Structural Tubing	1 1/2" Structural Tubing	1 1/2" Structural Tubing	1" Structural Tubing
Axles (3500 lb)	1 - Idler	1 - Idler	2 - Electric Braking	1 - Idler	1 - Idler	1 - Idler
Tilt Deck	-	-	-	5' W x 10' L	6' W x 10' L	-
Coupler (Molded)	2"	2"	2"	2"	2"	2"
Ski Tie Down Bars	2	3	4	-	-	-
Tires	ST205/75R15	ST205/75R15	ST205/75R15	ST205/75R15	ST205/75R15	ST205/75R15
Options	Spare Tire, Rim & Carrier	Spare Tire, Rim & Carrier	Spare Tire, Rim & Carrier	-	-	4' Landscape Tailgate
Curb Weight	1345 lb	1389 lb	1962 lb	827 lb	904 lb	860 lb

* All SM models have the following standard features: LED Lights, Rub rail w/stake pockets, Front unloading bracket, Slide in ramp, 15" White spoke rims.
 * All BT models have the following standard features: LED Lights, Chrome centre caps, 12" High steel formed sides and front, 15" White spoke rims, Plywood deck.
 * UT model has the following standard features: LED Lights, Chrome centre caps, Double eye suspension, Fold down end gate c/w latches, Safety chains w/hooks, 14ga Utility box 16" high x 49" wide x 97" long, 15" White spoke rims.